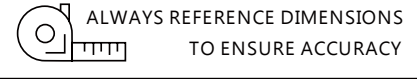
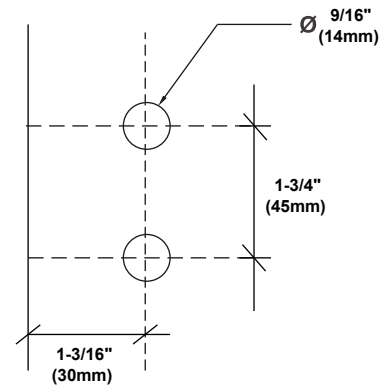
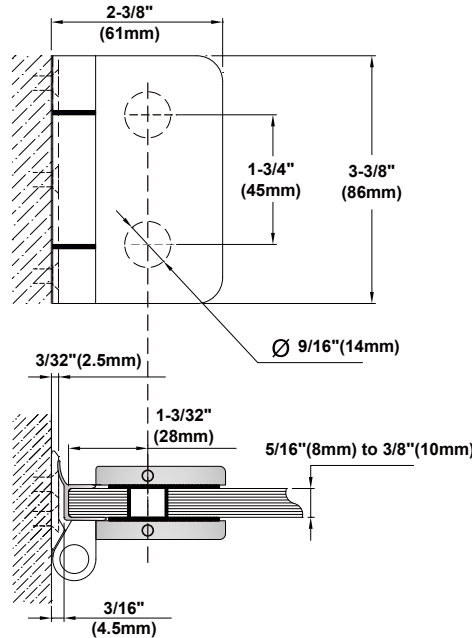
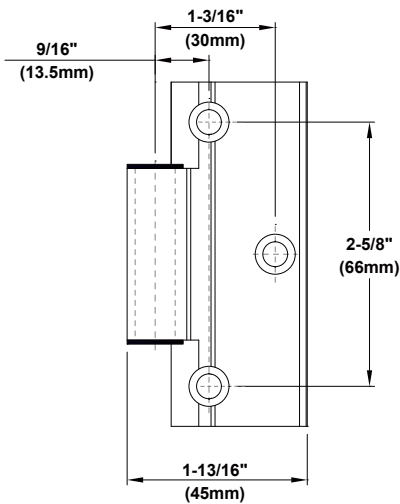


UKH10-LH90IN



*Not shown to scale.

Lever Hinge Wall Mount 90 Degrees (2pc/box)



Specifications

Height: 3-3/8"(86mm)

Width: 2-3/8"(61mm)

Pack Quantity: 2pc/box

Material: Aluminum (Brushed Nickel and Chrome finish with 304 Stainless Steel cover, Matte Black finish with Aluminum cover)

Color: Brushed Nickel, Chrome, Matte black **Glass thickness:** 5/16"(8mm) to 3/8"(10mm)

Loading capacity

Hinge required 2 pcs: Door weight \leq 132lbs(60kg) Door width \leq 35" (900mm),

Hinge required 3 pcs: 132lbs(60kg) \leq Door weight \leq 187lbs(85kg) Door width \leq 47" (1200mm)

Product Overview

- Suitable for both commercial and bathroom environments
- High load-bearing capacity with a cost-effective design; for doors over 132 lbs (60 kg), three hinges are recommended to ensure stability and durability
- Strong glass fixation stability, reducing maintenance needs
- Good weather resistance, resistant to oxidation and rusting

UNIKOO LIMITED WARRANTY:

- UNIKOO warrants its commercial hardware for a period of 1 year from the date of purchase. UNIKOO commercial hardware is warranted against material and workmanship defects.
- All warranty claims are subject to inspection by UNIKOO before providing a resolution against the warranty claim.
- This warranty is void if it is determined after UNIKOO inspection that the hardware has been improperly installed and/or maintained in a manner not conforming to UNIKOO guidelines and instructions provided at time of purchase.
- UNIKOO's responsibility to provide a resolution under said warranty will be limited to a refund of purchased price or provide a replacement for the hardware.
- The refund or replacement will constitute UNIKOO's limited liability and obligation for any and all defective material/workmanship for said warranty claim.
- THIS WARRANTY IS EXCLUSIVE AND UNIKOO MAKES NO OTHER WARRANTY, EXPRESSED OR IMPLIED.